



PLATFORMS



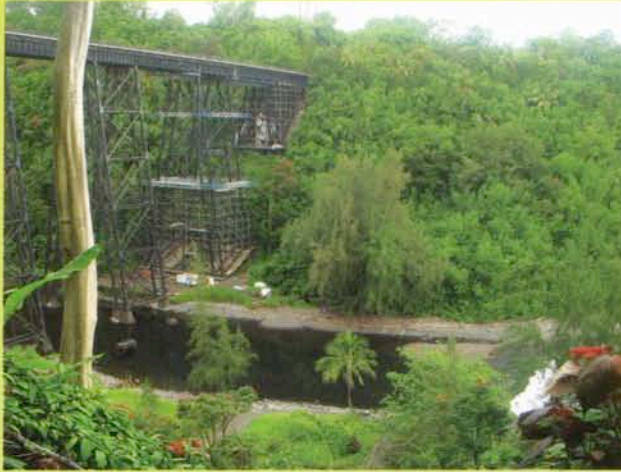
Suspended motorized MAXI platforms

your access needs...
our MAXI solution !



"MAXI - Platforms"

the most innovative and economical suspended access solution for bridge works.



By courtesy of Certified Coatings of California and Hawaiian Dredging Construction Company.

HAKALAU Bridge, Hawaii.

- 1 Connection stirrup
- 2 Walk through stirrup
- 3 Side panel 5ft (1.5m)
- 4 Side panel 6.6ft (2m)
- 5 Side panel 9.8ft (3m)
- 6 Floor panel 5ft (1.5m)
- 7 Floor panel 6.6ft (2m)

"Designed to fulfill the requirements of our customers"

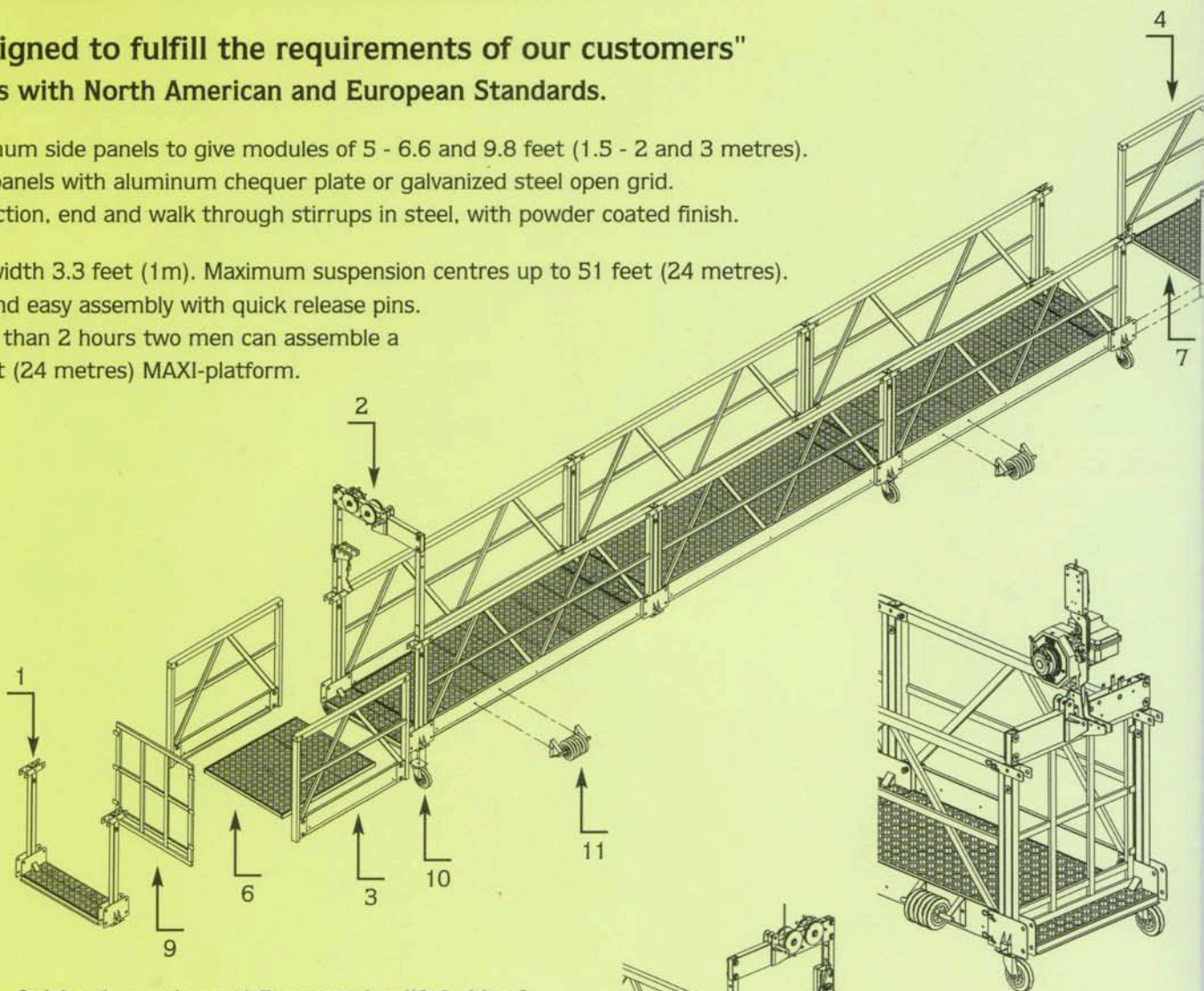
Meets with North American and European Standards.

Aluminum side panels to give modules of 5 - 6.6 and 9.8 feet (1.5 - 2 and 3 metres).
Floor panels with aluminum chequer plate or galvanized steel open grid.
Connection, end and walk through stirrups in steel, with powder coated finish.

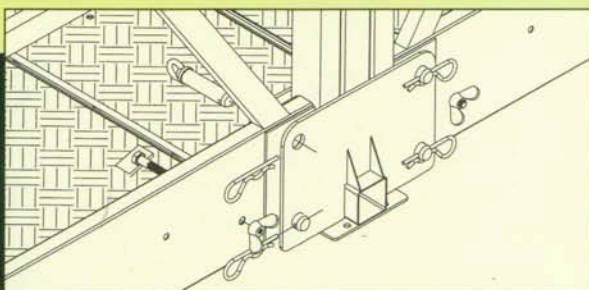
Deck width 3.3 feet (1m). Maximum suspension centres up to 51 feet (24 metres).

Fast and easy assembly with quick release pins.

In less than 2 hours two men can assemble a 51 feet (24 metres) MAXI-platform.

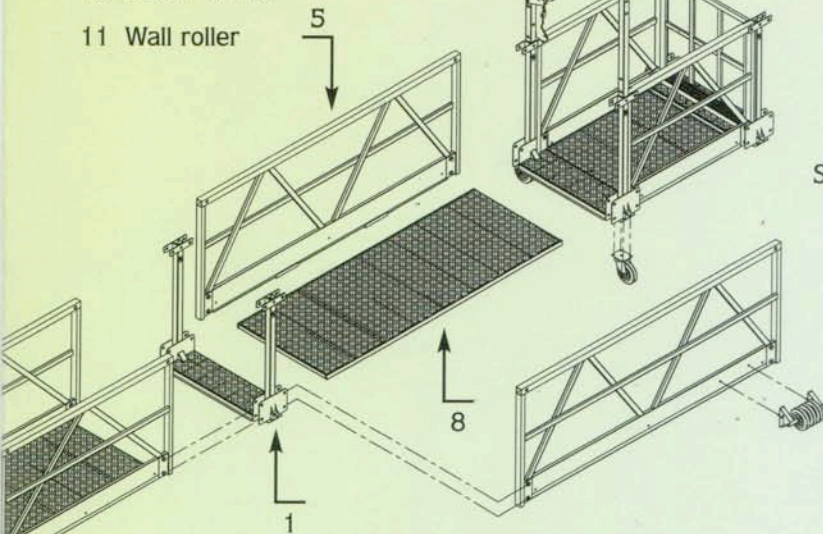


Quick release pins and floor panel uplift holders!

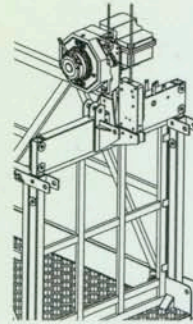


Designed for use in conjunction with the SKY MAN series "OCTO- hoists"

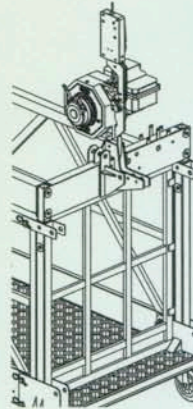
- 8 Floor panel 9.8ft (3m)
- 9 End guard frame
- 10 Castor wheel
- 11 Wall roller



Safety brake on Secondary steel wire rope



Safety brake on Primary steel wire rope



Loadtable for standard range MAXI platforms

Length		Composition	W1		W2		RL1		T	
feet	metre		lbs	kg	lbs	kg	lbs	kg	feet	metre
6.6	2	2	363	165	689	313	880	400	6.6	2.00
9.8	3	3	414	188	739	336	1320	600	9.8	3.00
13.1	4	2+2	587	267	913	415	1760	800	13.1	4.00
16.4	5	3+2	638	290	964	438	2200	1000	16.4	5.00
19.7	6	3+3	689	313	1014	461	2506	1139	18.7	5.70
23.0	7	2+3+2	862	392	1188	540	2332	1060	17.4	5.30
26.2	8	3+3+2	913	415	1239	563	2281	1037	17.0	5.19
29.5	9	3+3+3	964	438	1289	586	2231	1014	16.6	5.07
32.8	10	2+3+3+2	1137	517	1463	665	2057	935	15.3	4.68
36.1	11	3+3+3+2	1188	540	1514	688	2006	912	15.0	4.56
39.4	12	3+3+3+3	1239	563	1564	711	1956	889	14.6	4.45
42.7	13	2+3+3+3+2	1412	642	1738	790	1782	810	13.3	4.05
45.9	14	3+3+3+3+2	1463	665	1789	813	1731	787	12.9	3.94
49.2	15	3+3+3+3+3	1514	688	1839	836	1681	764	12.5	3.82
52.5	16	2+3+3+3+3+2	1701	773	2026	921	1494	679	11.1	3.40
55.8	17	3+3+3+3+3+2	1751	796	2077	944	1443	656	10.8	3.28
59.1	18	3+3+3+3+3+3	1802	819	2127	967	1393	633	10.4	3.17
62.3	19	2+3+3+3+3+3+2	1989	904	2314	1052	1206	548	9.0	2.74
65.6	20	3+3+3+3+3+3+2	2039	927	2365	1075	1155	525	8.6	2.63
68.9	21	3+3+3+3+3+3+3	2090	950	2416	1098	1104	502	8.2	2.51
72.2	22	2+3+3+3+3+3+3+2	2264	1029	2589	1177	931	423	6.9	2.12
75.5	23	2+3+3+3+3+3+3+3	2314	1052	2640	1200	880	400	6.6	2.00
78.7	24	3+3+3+3+3+3+3+3	2365	1075	2691	1223	829	377	6.2	1.89

Hoist capacity = 1760 lbs (800 kg) per hoist

W1 = Weights for platforms with end stirrups.

W2 = W1 + 2 x OCTO Hoist + 2 x Safety Brake. Steel wire ropes and electric cable not included.

RL1 = Rated load in lbs evenly distributed on the platform centre with maximum floor loading (q).

T = Rated load RL1 evenly distributed (q) along a length of T.

q = Maximum floor loading 41 lbs/ft² (= 200 kg/m²).

Other length combinations or set-up with walk through stirrups on request.

For more information and prices:

Contact:

N.V. SKY MAN® INTERNATIONAL S.A

ZONE 3, unit 43/44

2850 Boom (Belgium)

Tel: 32-3-844.65.86 • Fax: 32-3-844.29.56

E-mail: info@sky-man.com

Website: <http://www.sky-man.com>

